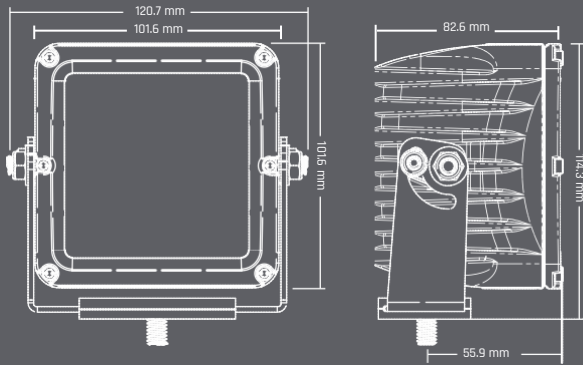


DIMENSIONS



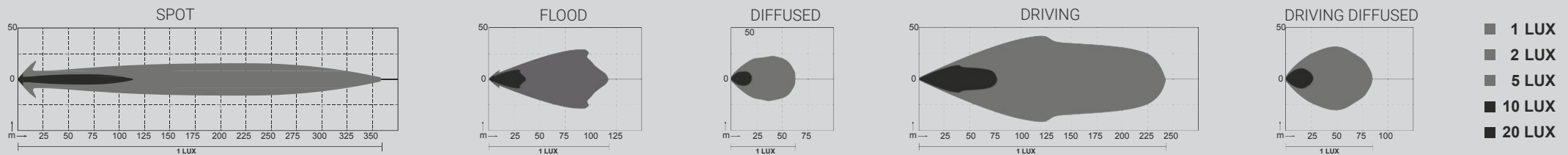
SPECIFICATIONS

OPTICS	PART NUMBER (PAIR)	WT. (kg)	WATTS	AMP DRAW @24VDC	LEDs	RAW LUMENS	A	B	C	PEAK BEAM INTENSITY(cd)
FLOOD DIFFUSED	C322313-MDXL	1.14	67	2.8	9	7128	40	63	126	3980
DRIVING DIFFUSED	C322713-MDXL	1.14	88	3.67	12	9504	75	86	173	7454
FLOOD	C322113-MDXL	1.14	67	2.8	9	7128	147	121	242	14681
DRIVING	C322613-MDXL	1.14	88	3.67	12	9504	638	258	505	63841
SPOT	C322213-MDXL	1.14	67	2.8	9	7128	1342	366	733	134226

A = LUX AT 10 METERS
B = BEAM DISTANCE (m) WITH 1 LUX
C = BEAM DISTANCE (m) WITH .25 LUX



BEAM PATTERNS



RIGID has added to the already popular and reliable D-XL product line to meet the need for heavy duty lighting in construction, mining and any other industrial application. With an unbreakable polycarbonate lens, stainless steel hardware, and included vibration isolator, the new MINING D-XL light has specialized improvements including upgraded textured powder coat with a unique gray bezel and effective moisture blocking to maintain peak performance in the harshest of environments. With 5 different optic choices, MINING D-XL sets the lighting standard that is the hallmark of how RIGID prepares you to OWN THE NIGHT. Rennsport Imports LLC is an official distributor for RIGID LED lights. Headquartered in Massachusetts USA, Rennsport Imports proudly offers US made products with support and delivery in US and worldwide.