

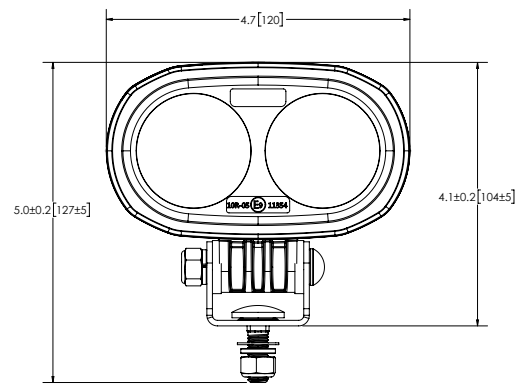


# WORKLIGHTS



## EW2002 Pedestrian Spotlight

ECCO's EW2002 LED Pedestrian Spotlight is designed specifically for material handling applications to provide a visual warning for pedestrians in the vicinity of mobile equipment. This light is intended to supplement a 360° warning light by projecting a blue warning dot onto the ground in front or rear side of the vehicle. This additional safety feature is especially useful where blind corners are present (i.e. warehouse racking) and is likely to be seen by pedestrians who are not looking up or paying close attention to their surroundings. Featuring 12-80 VDC operation, an aluminum housing, and polycarbonate lens, the EW2002B is extremely resistant to impact and vibration damage.



### Models

| PART NO. | LED COLOR | VDC   | AMPS |
|----------|-----------|-------|------|
| EW2002B  | ■         | 12-80 | 0.6  |

### Features and Benefits

- Two 3-watt LEDs
- Blue spot projection
- Pedestrian warning for material handling applications
- Aluminum heatsink housing
- Polycarbonate lens

